

# Plug & Play „Anschließen und Loslegen“



Garten



Flaches Dach



Plattform

Das **FDA SOLAR** Easy Solar Kit ist ein Plug-and-Play-System („Anschließen und Loslegen“) bestehend aus Solarpanel, Mikrowechselrichter und winkelverstellbarer Halterung, das Sie selbst installieren können. Der modulare Aufbau ohne zusätzliche Provision ermöglicht eine schnellere und einfachere Installation, der Winkel der Halterung kann angepasst werden angepasst, um die maximale Stromerzeugung zu erreichen.

## Integriertes Design

Integriert mit Mikrowechselrichter, Solarpanel und Halterung. Tragbar und faltbar für mehrere Anwendungen.

## Einfachere Installation

Plug & Play „Anschließen und Loslegen“, keine Anforderung für Profis Installation, wodurch Arbeitskosten gespart werden.

## Standardkonfiguration



Solarmodul



Solarhalterung



Mikro-Wechselrichter

## Optionale Konfiguration



Leistungsmesser



AC-Verlängerungskabel



Wasserdichte IP67-Steckdose



Datenübertragungseinheiten

## Anwendungsszenarien



Flacher Boden



Balkon

## Verpackungsinformationen



Paket für ein Sst

( Größe: 1760\*1155\*90mm )



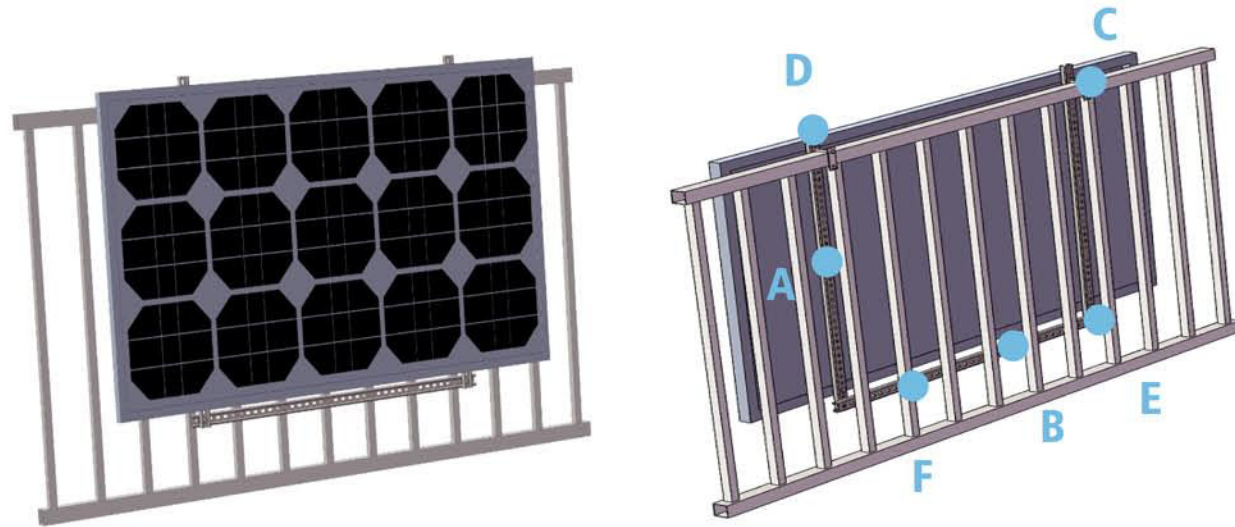
312 Set pro 40H





## BR-3 Solar Balcony Hanger Rack

BR-3 Solar Balcony Hanger Rack is a smart and clever design for your balcony. It requires only a few components to fix the solar panel stably on your guardrail.



### BRIEF INTRODUCTION

- Install Site: Balcony
- Max. Wind Speed: 50m/s
- Material: HDG Steel & Stainless Steel 304
- Warranty: 12 years warranty; 25 years service life

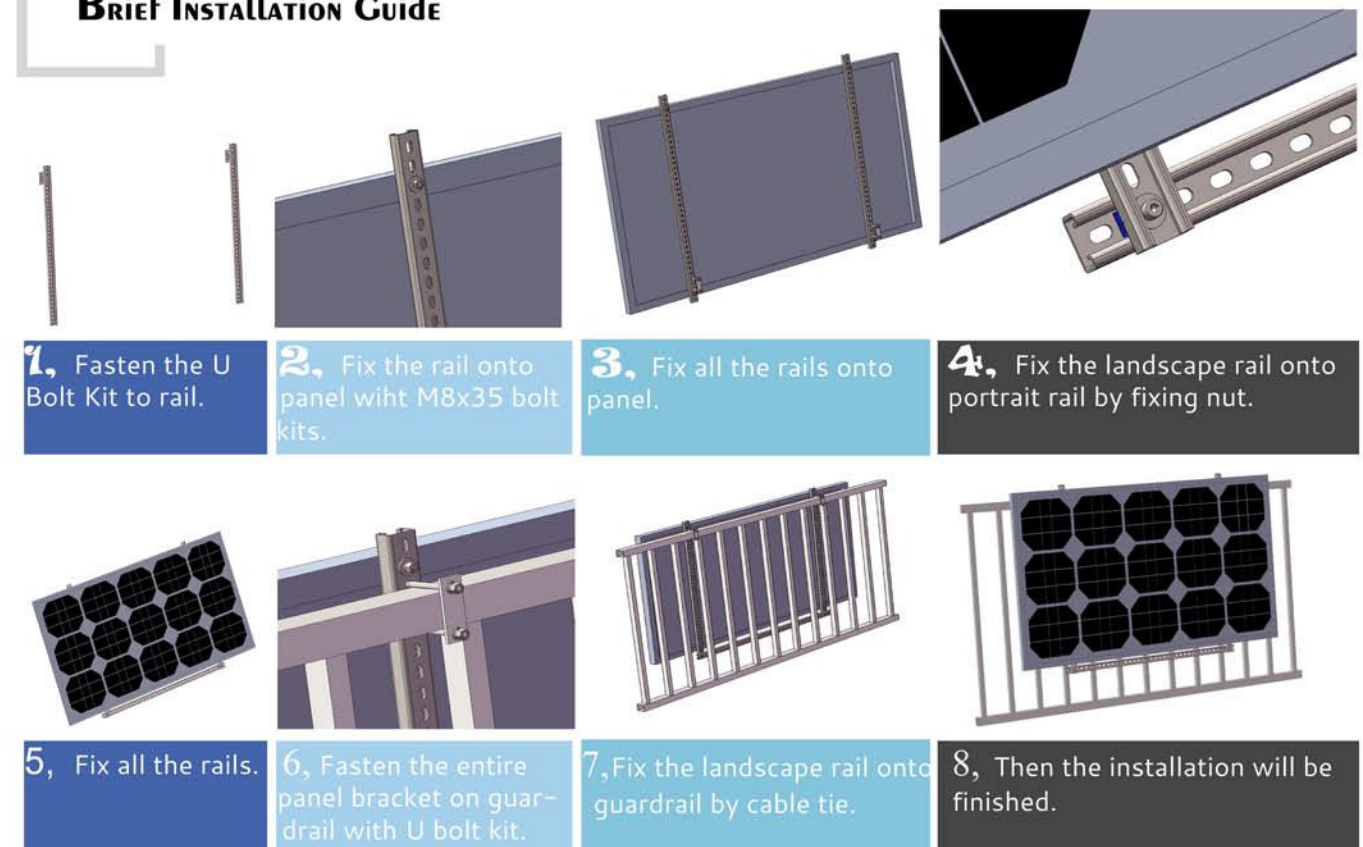
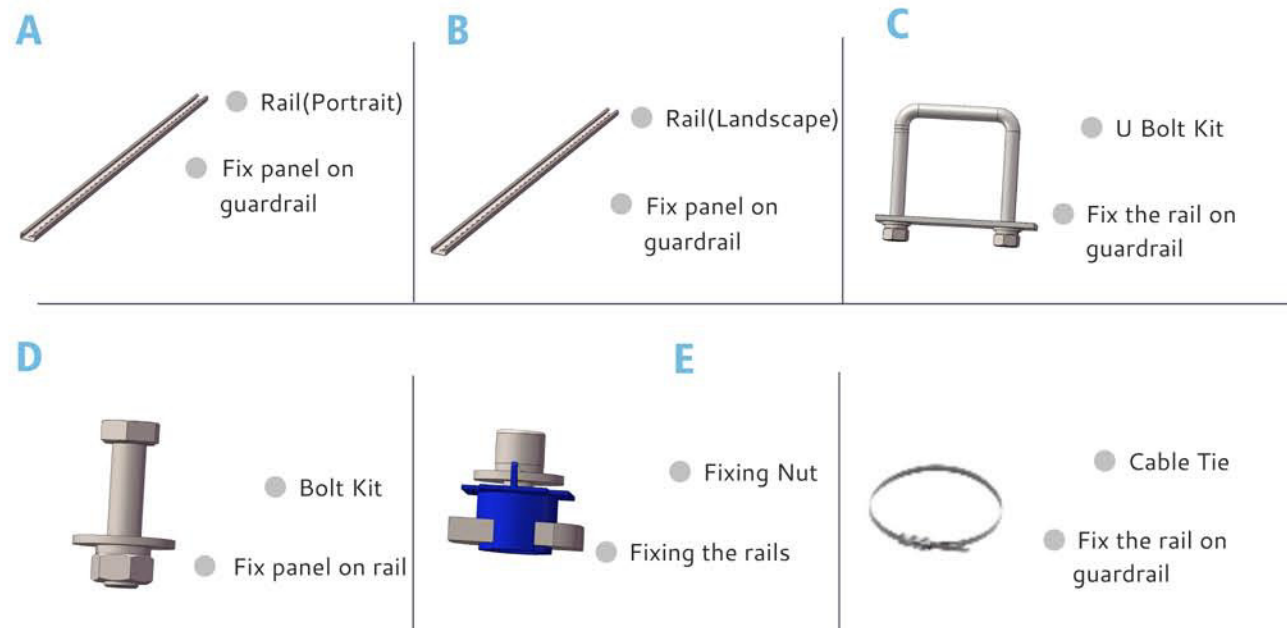
### PROJECT SOLUTION

BOM List for a project with 1 pc. of solar panel:

ITEMS	DESC.	QTY.
Solar Panel		1 pc.
Rail(Portrait)	1150mm	2 pcs.
Rail(Landscape)	1150mm	1 pcs.
U Bolt Kit	M8*52*80mm	2 pcs.
Bolt kit	M8*35mm	6 pcs.
Fixing Nut		6 pcs.
Cable Tie	4.6*300mm	2 pcs.

### BRIEF INSTALLATION GUIDE

#### COMPONENTS PARTS

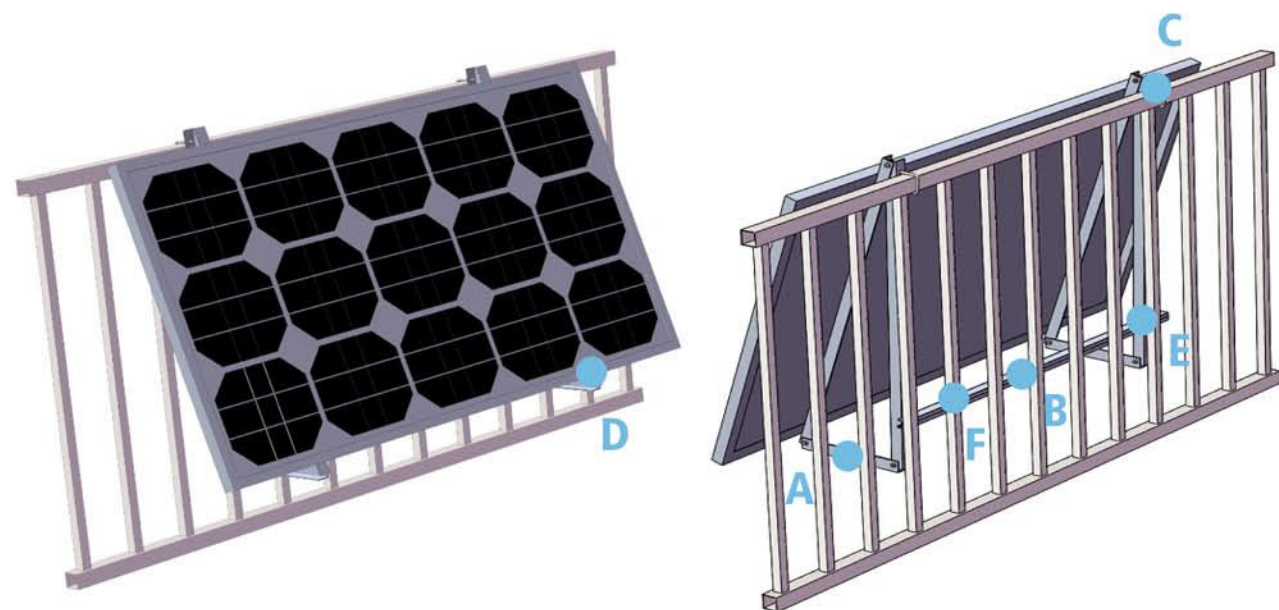












## BR-4 Solar Balcony Triangle Rack

BR-4 Solar Balcony Triangle Rack is a smart and clever design for your balcony. It requires only a few components to fix the solar panel stably on your guardrail.



### COMPONENTS PARTS

<p><b>A</b></p>  <ul style="list-style-type: none"> <li>Support Rack</li> <li>Fix panel on guardrail</li> </ul>	<p><b>B</b></p>  <ul style="list-style-type: none"> <li>Fixing Bar</li> <li>Fix support rack on guardrail</li> </ul>	<p><b>C</b></p>  <ul style="list-style-type: none"> <li>U Bolt Kit</li> <li>Fix support rack on guardrail</li> </ul>
<p><b>D</b></p>  <ul style="list-style-type: none"> <li>Bolt Kit</li> <li>Fix the rack and fix panel on rack</li> </ul>	<p><b>E</b></p>  <ul style="list-style-type: none"> <li>Z-Nut Kit</li> <li>Fixing support rack and fixing bar</li> </ul>	<p><b>F</b></p>  <ul style="list-style-type: none"> <li>Cable Tie</li> <li>Fix the fixing bar on guardrail</li> </ul>

### BRIEF INTRODUCTION

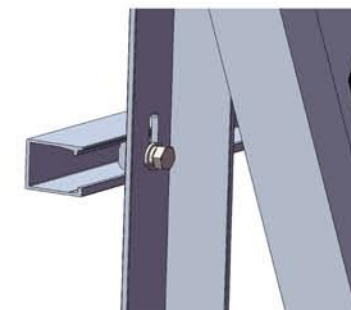
- Install Site: Balcony
- Max. Wind Speed: 50m/s
- Material: HDG Steel & Stainless Steel 304
- Warranty: 12 years warranty; 25 years service life

### PROJECT SOLUTION

BOM List for a project with 1 pc. of solar panel:

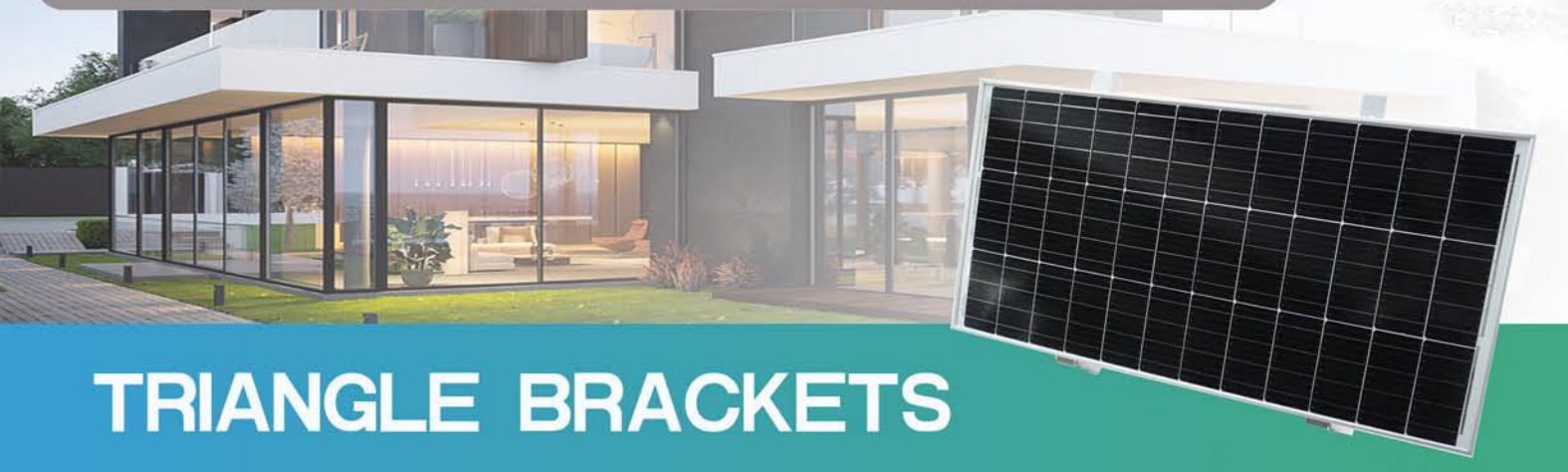
ITEMS	DESC.	QTY.
Solar Panel		1 pc.
Support Rack	1150mm	2 pcs.
Fixing Bar	1200mm	1 pcs.
U Bolt Kit	M8*52*80mm	2 pcs.
Bolt kit	M8*20mm	10 pcs.
Z-Nut Kit	M8*25mm	2 pcs.
Cable Tie	4.6*300mm	2 pcs.

### BRIEF INSTALLATION GUIDE

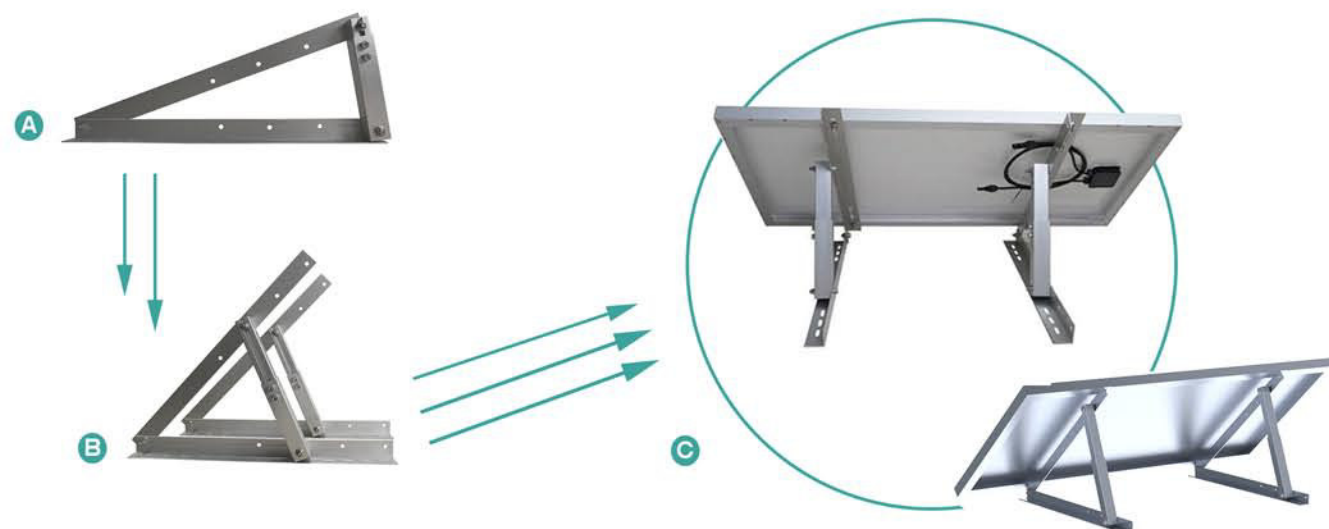


1. Fixing the support rack with bolt kits.
2. Fix the panel on support rack with bolt kits.
3. Fix all the support racks.
4. Fix the fixing bar on support rack with Z-Nut kit.
5. Fix all the fixing bar.
6. Fasten the entire panel bracket on guardrail with U bolt kit.
7. Fix the fixing bar onto guardrail by cable tie.
8. Then the installation will be finished.





## TRIANGLE BRACKETS



- Adjustable Tilt Angle: 15-60°, it can be achieved through the adjustable inner & outer tubes and the position of locking holes.
- The length can be 22inch, 28inch, 41inch or 45inch to fit with multiple series size of panels. There are some holes on the arms for installation of panels of different sizes and adjustment of angle for seasonal optimization.
- Suitable for flat surfaces, such as RV/Caravan/Travel trailer/Boat roof tops, sheds, garages, ground, wall etc.

## PRODUCT ACCESSORIES



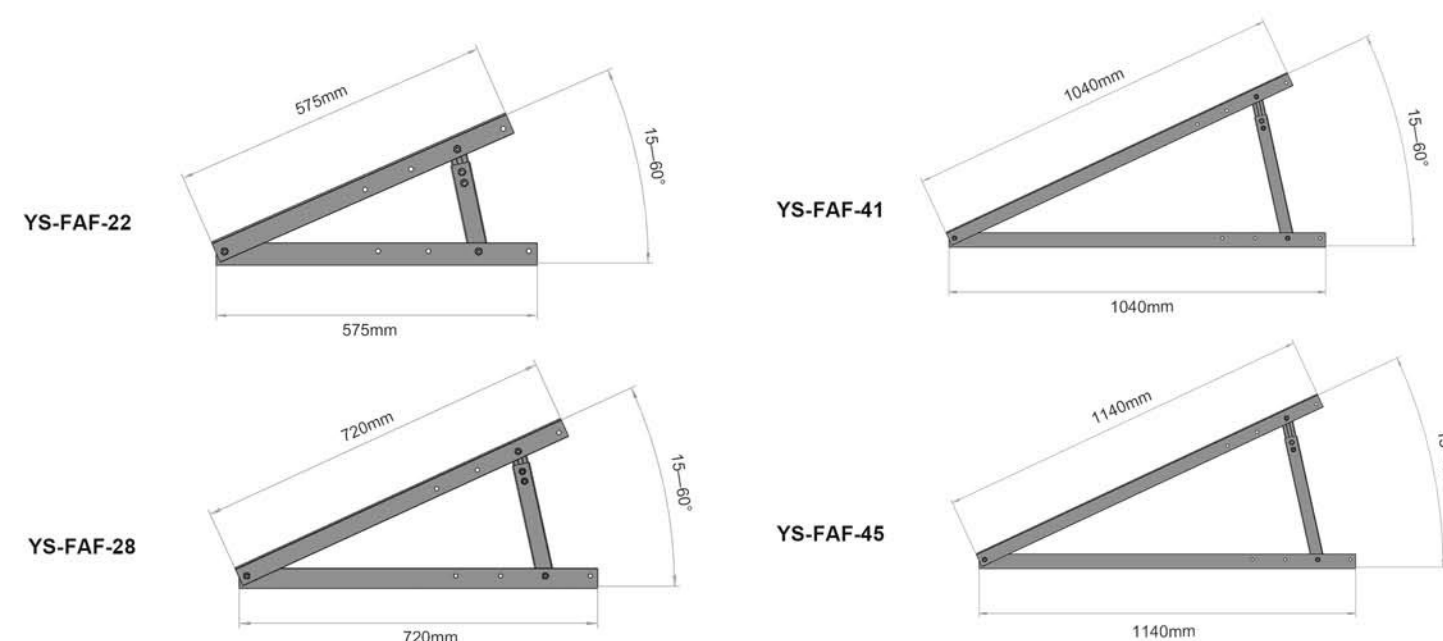
### 1Set/Package includes:

- 4x Supporting Bars
- 2x adjustable Bracket
- 6x M8\*20mm hex bolt with flange nut
- 4x M8\*55mm hex bolt with flange nut

The free installation tools can be provided: spanner and wrench

individual packing with 5 layers corrugated box and black printing

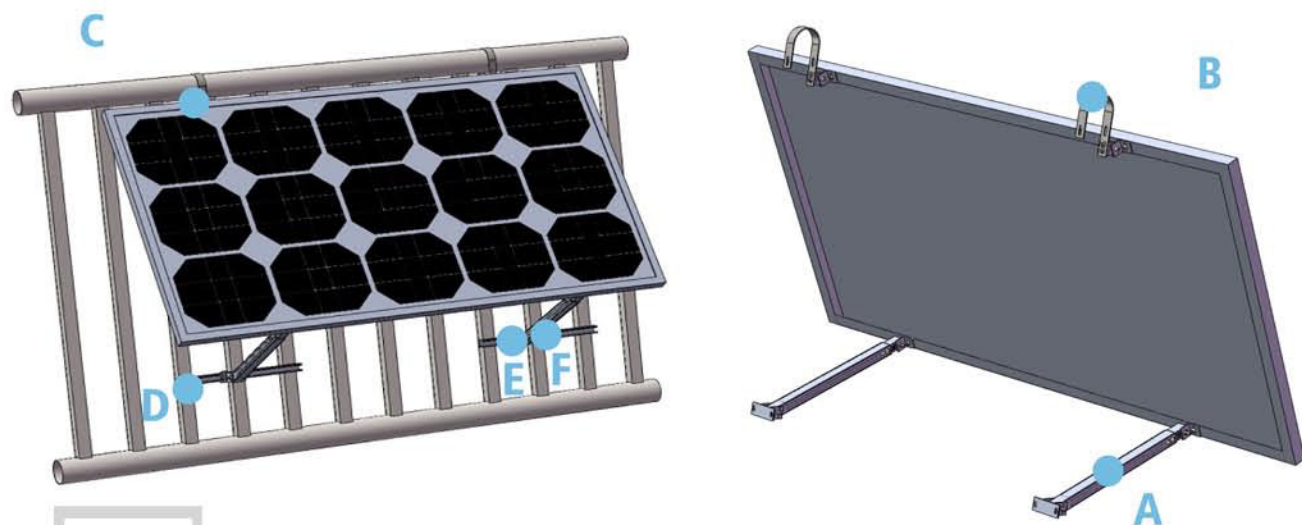
ITEM NO.	DESCRIPTION	DIMENSION	G.W.	SIZE OF BOX	COMPATIBLE SOLAR PANEL
-FAF-22	22 (Inch) Triangle Structure Kit	575mm 575mm 175+175mm	2.50Kgs/Set	600*65*55mm	<100W
-FAF-28	28 (Inch) Triangle Structure Kit	720mm 720mm 245+245mm	3.10Kgs/Set	750*65*55mm	<150W
-FAF-41	41 (Inch) Triangle Structure Kit	1040mm 1040mm 360+360mm	3.92Kgs/Set	1070*65*55mm	200W-350W
-FAF-45	45 (Inch) Triangle Structure Kit	1140mm 1140mm 460+460mm	4.39Kgs/Set	1180*65*55mm	350W-500W





## BR-1 Balcony Adjustable Triangle Rack

BR-1 Balcony Adjustable Triangle Rack is a smart and clever design for your balcony. It requires only a few components to fix the solar panel stably on your guardrail. The post kit is adjustable and can meet the needs of different tilt degree.



### BRIEF INTRODUCTION

- Install Site: Balcony
- Max. Wind Speed: 50m/s
- Material: AL 6005-T5 & Stainless Steel 304
- Warranty: 12 years warranty; 25 years service life

### COMPONENTS PARTS

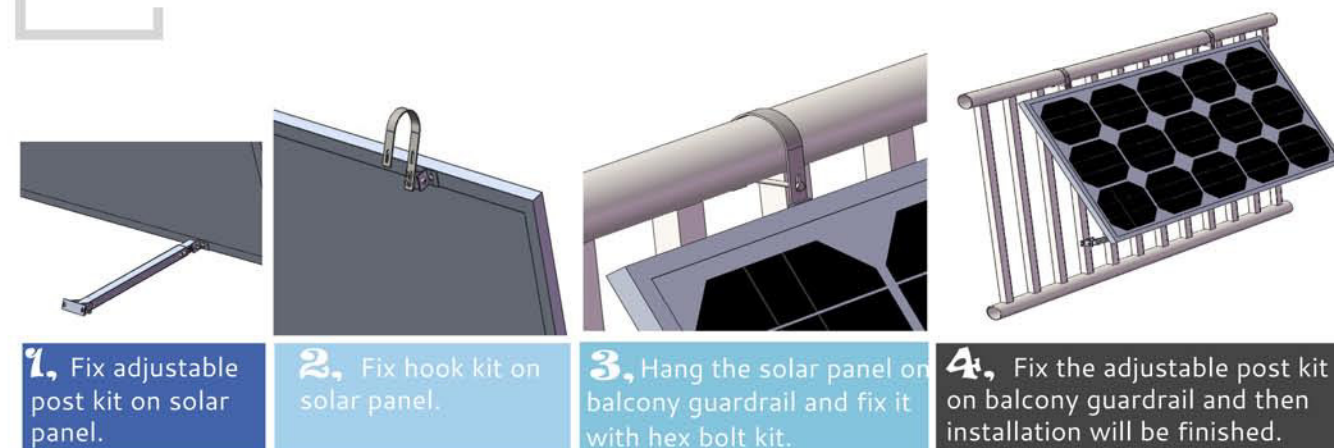


### PROJECT SOLUTION

BOM List for a project with 1 pc. of solar panel:

ITEMS	DESC.	QTY.
Solar Panel		1 pc.
Adjustable Post Kit	L=500mm	2 pcs.
Hook Kit	185*100*T3	2 pcs.
Hex Bolt Kit	M8*120mm	2 pcs.
Fixing Bar	L=500mm	2 pcs.
Z-Nut Kit	M8*20mm	2 pcs.
U-Bolt Kit	M8*52*80mm	2 pcs.

### BRIEF INSTALLATION GUIDE



### ADJUSTMENT OF TILT DEGREE

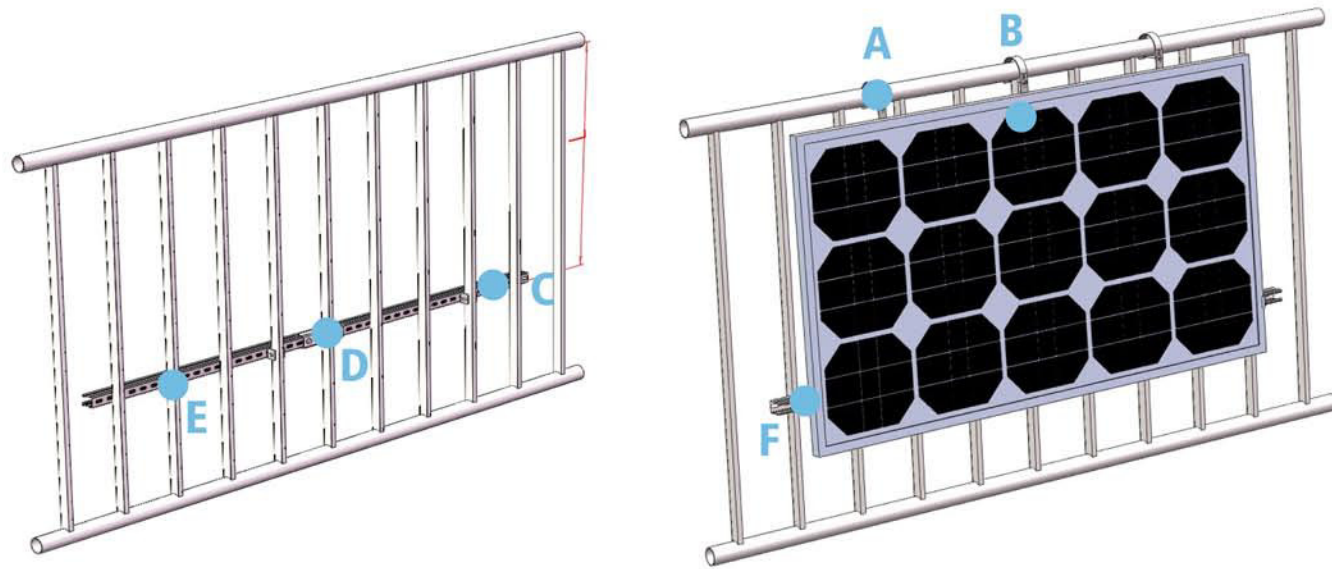






## BR-2 Solar Balcony Structure With Hook

BR-2 Solar Balcony Structure with Hook is a smart and clever design for your balcony. It requires only a few components to fix the solar panel stably on your guardrail.



### BRIEF INTRODUCTION

- Install Site: Balcony
- Max. Wind Speed: 50m/s
- Material: HDG Steel & Stainless Steel 304
- Warranty: 12 years warranty; 25 years service life

### PROJECT SOLUTION


BOM List for a project with 1 pc. of solar panel:

ITEMS	DESC.	QTY.
Solar Panel		1 pc.
Hook Kit	233.2*100*T3	3 pcs.
Fixing Plate	12*50*200*T2	1 pcs.
HDG Rail	L=850mm	2 pcs.
HDG Rail Splice Kit	L=200mm	1 pcs.
U Clip Kit	44*48*T4	3 pcs.
End Clamp Kit	L=40mm H=35mm	2 pcs.

### BRIEF INSTALLATION GUIDE


#### COMPONENTS PARTS

**A**




- Hook Kit
- Fix panel on the guardrail

**B**



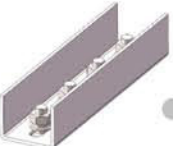
- Fixing Plate
- Fix micro inverter

**C**




- HDG Rail
- Fix panel on the guardrail

**D**




- HDG Rail Splice Kit
- Connect HDG Rail

**E**


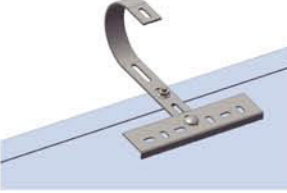
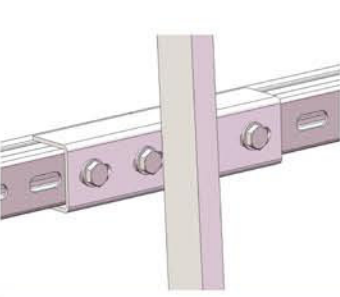
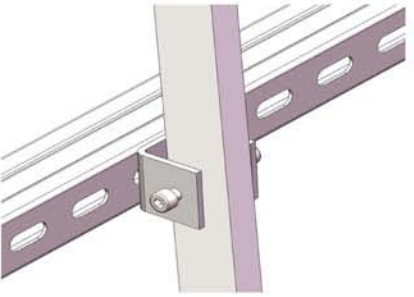

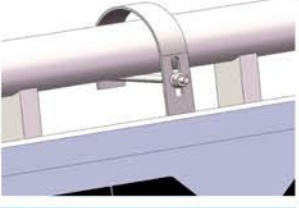
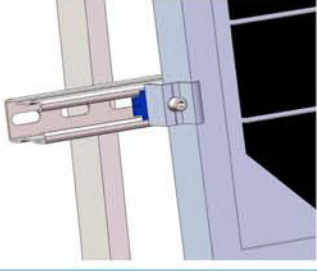
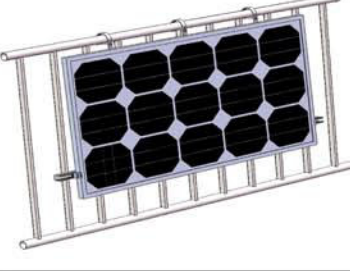


- U Clip Kit
- Connect HDG Rail on guardrail

**F**



- End Clamp Kit
- Fix solar panel on HDG Rail

-  1. Fix the hook kit on solar panel.
-  2. Fix the fixing plate of micro inverter on the middle of hooks.
-  3. Connect the HDG rails with Splice Kit.
-  4. Fix HDG rails on guardrail with U Clip Kit.
-  5. Fix all the U Clip Kits.
-  6. Hang the panel on guardrail and fix the hook with bolt kits.
-  7. Fix solar panel with HDG rail with end clamp kit.
-  8. Fix all the clamps and then installation will be finished.